



METAL BUILDING SUPPLY, INC

Metal Building Supply, Inc.

19601 N. Mount Olive Road

Gravette, AR 72736

800-467-0626

www.metalbuildingsupply.com

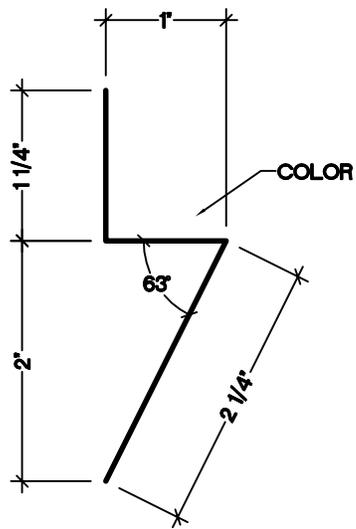
Trim Profiles for
Nu-Mag / Nu-Ag Sheeting

Table Of Contents

BG	Base (Rat) Guard	Page	4
BG**H	Hemmed Base Guard	Page	5
CC	Combo Cover	Page	6
CO	Rake/Corner	Page	7
CS	Rake/Corner w/ Stiffeners	Page	8
DA	Double Angle	Page	9
DG	Denver Gable	Page	10
DJ	Door Jamb	Page	11
DRIP	Drip Cap	Page	12
ERC	Extra Wide Ridge Cap	Page	13
ERC**H	Hemmed X Wide Ridge	Page	14
ET	Eave	Page	15
EW	Endwall	Page	16
FT	Fascia	Page	17
GT	Gambrel	Page	18
GT Chart	Gambrel Conversion Chart	Page	19
IC	Inside Corner	Page	20
JT	J-Trim	Page	21
NC	National Track Cover	Page	22
OHD	Overhead	Page	23
RC	Ridge Cap	Page	24
RC**H	Hemmed Ridge Cap	Page	25
RR	Residential Rake	Page	26
RS	Residential Rake w/ Stiffeners	Page	27
SA1.5	Single Angle 1.5 X 1.5	Page	28
SA2	Single Angle 2 X 2	Page	29
SA3	Single Angle 3 X 3	Page	30
SA3**H	Single Angle 3 X 3/HEM	Page	31
SA3.5	Single Angle 1.5 X 3.5	Page	32
SA5.5	Single Angle 1.5 X 5.5	Page	33
SA7.5	Single Angle 1.5 X 7.5	Page	34
SN	Snow Guard	Page	35
SW	Sidewall	Page	36

Table Of Contents

TT	Transition*	Page	37
TT Chart	Transition Conversion Chart	Page	38
VT	Valley	Page	39
WC	Wainscoat	Page	40



BASE GUARD (BG)

SLIT SIZE - 4 1/2"

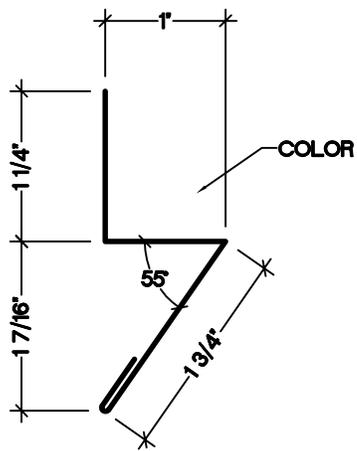
LENGTH - 10'-3"

NOTES:

1. ALL BENDS ARE 90° OR 45° U.N.O.

2. ALL HEMS ARE 1/2" U.N.O.

BG



HEMMED BASE GUARD (BGH)

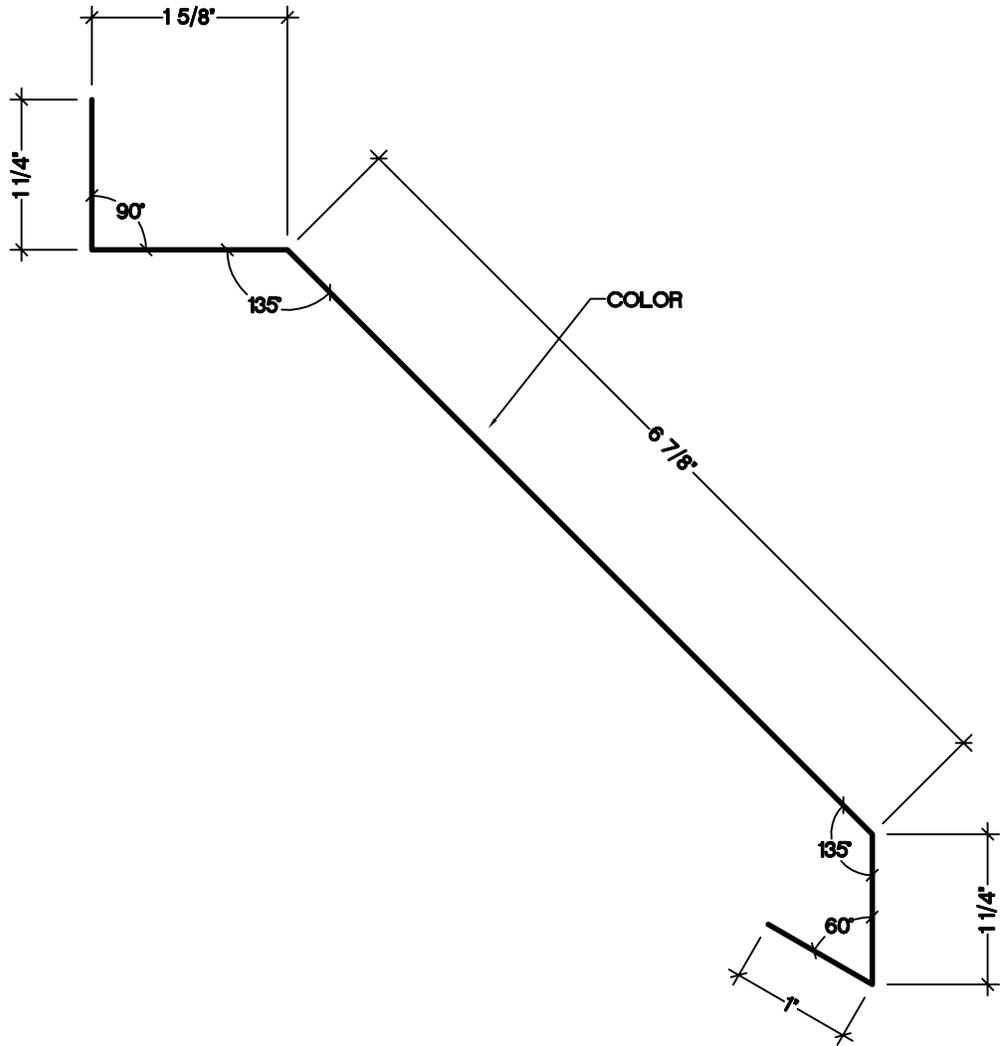
SLIT SIZE- 4 1/2"

LENGTH FROM 10'-3" TO 16'-3"

NOTES:

- 1. ALL BENDS ARE 90° OR 45° U.N.O.**
- 2. ALL HEMS ARE 1/2" U.N.O.**

BGH



COMBO COVER (CC)

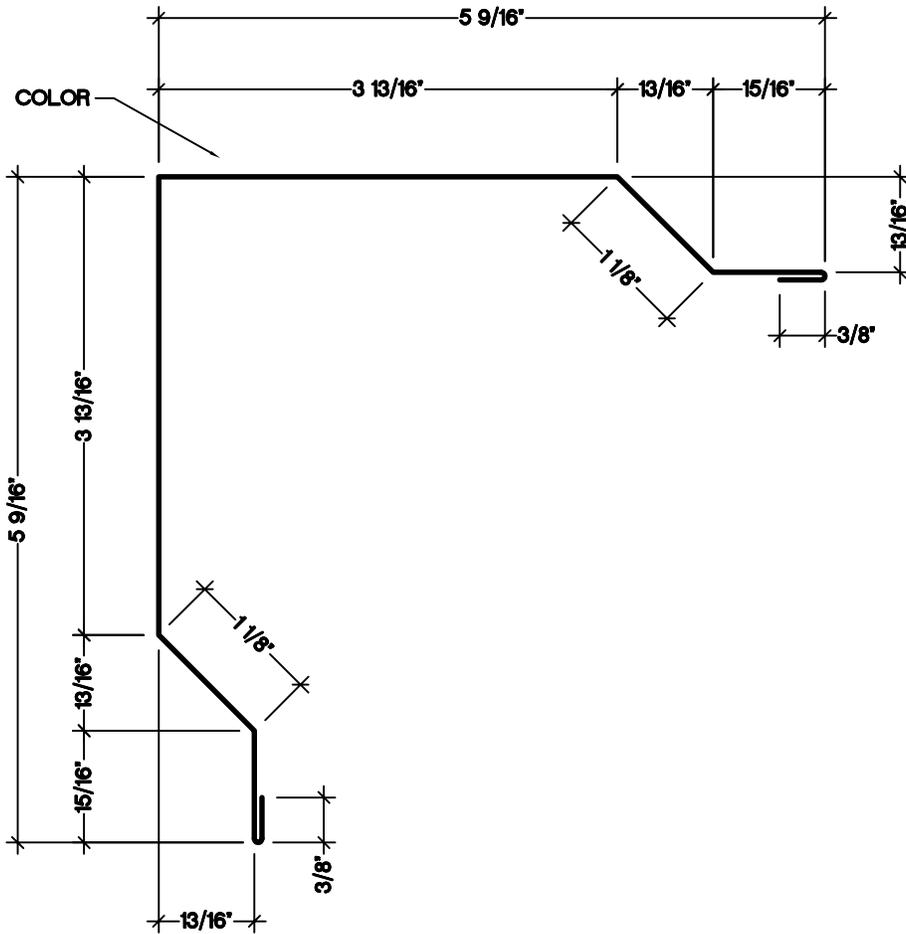
SLIT SIZE - 12"

LENGTH - 10'-3"

NOTES:

- 1. ALL BENDS ARE 90° OR 45° U.N.O.
- 2. ALL HEMS ARE 1/2' U.N.O.

CC



RAKE/CORNER (CO)

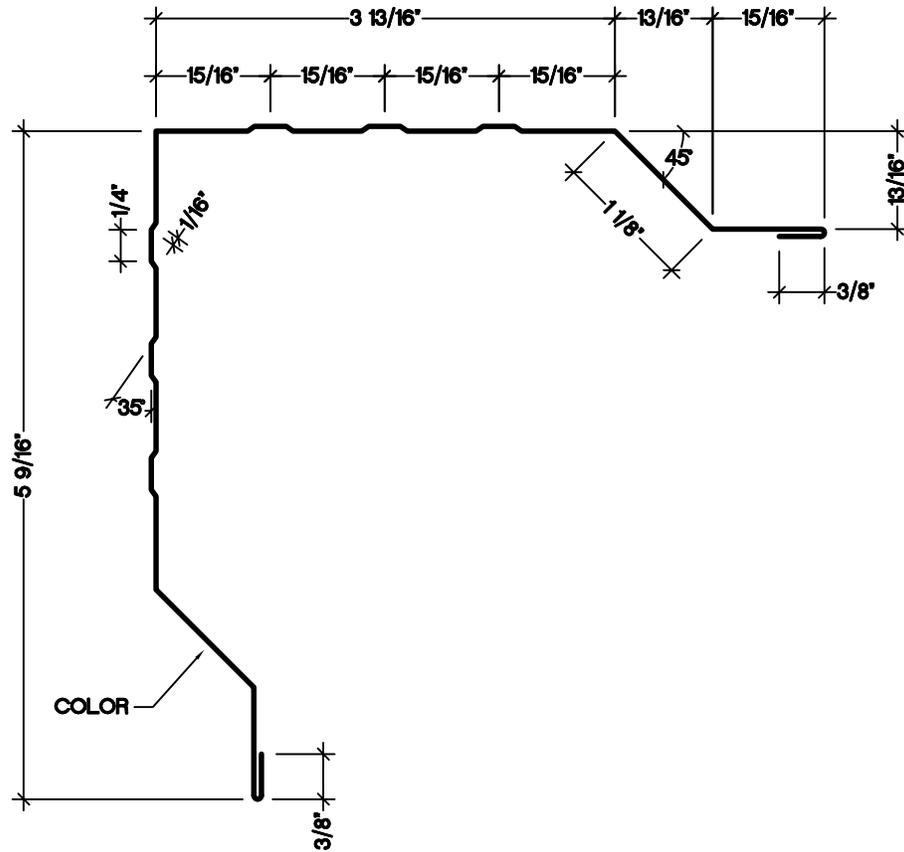
SLIT SIZE- 12 1/2"

LENGTHS FROM 10'-3" TO 16'-3"

NOTES:

1. ALL BENDS ARE 90° OR 45° U.N.O.
2. ALL HEMS ARE 1/2" U.N.O.

CO



RAKE/CORNER (CS)
WITH STIFFENER RIBS

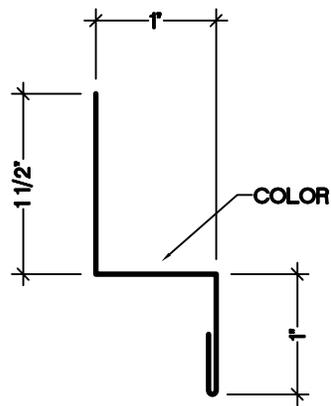
SLIT SIZE- $12 \frac{1}{2}''$

LENGTHS FROM $10'-3''$ TO $16'-3''$

NOTES:

1. ALL BENDS ARE 90° OR 45° U.N.O.
2. ALL HEMS ARE $1/2''$ U.N.O.

CS



DOUBLE ANGLE (DA)

SLIT SIZE- 4'

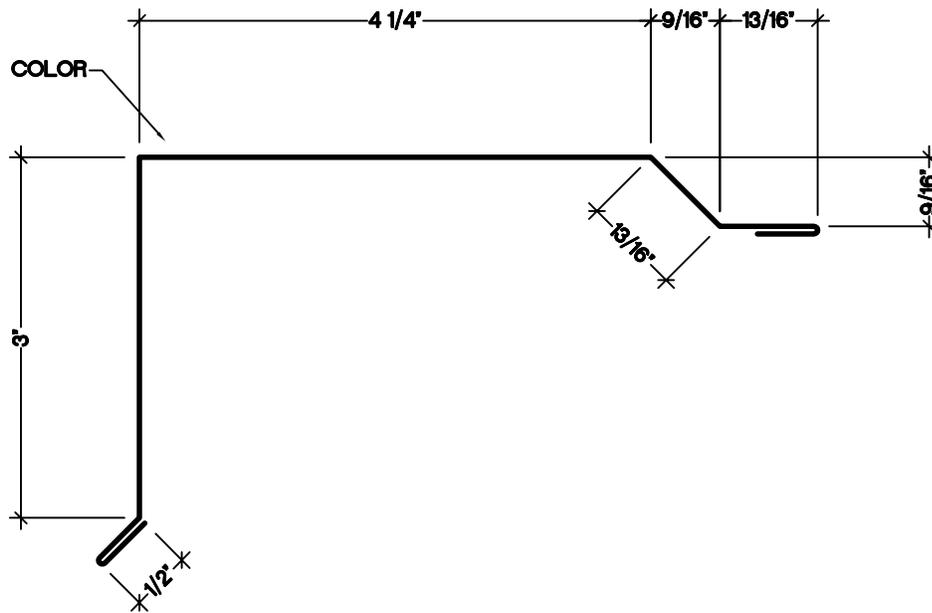
LENGTH - 10'-3"

NOTES:

**1. ALL BENDS ARE 90°
OR 45° U.N.O.**

2. ALL HEMS ARE 1/2' U.N.O.

DA



COLOR

DENVER GABLE (DG)

SLIT SIZE- 10 3/8"

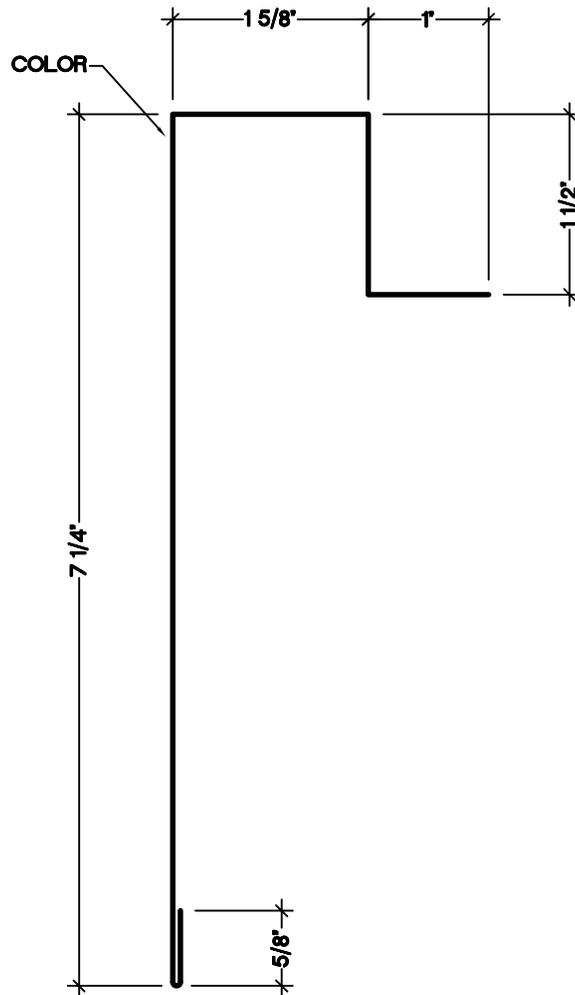
LENGTHS FROM 10'-3" TO 16'-3"

NOTES:

1. ALL BENDS ARE 90° OR 45° U.N.O.

2. ALL HEMS ARE 1/2" U.N.O.

DG



DOOR JAMB (DJ)

SLIT SIZE - 12"

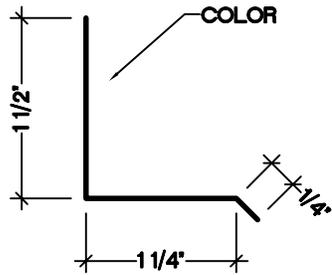
LENGTH - 10'-3"

NOTES:

1. ALL BENDS ARE 90° OR 45° U.N.O.

2. ALL HEMS ARE 1/2" U.N.O.

DJ



DRIP CAP (DRIP)

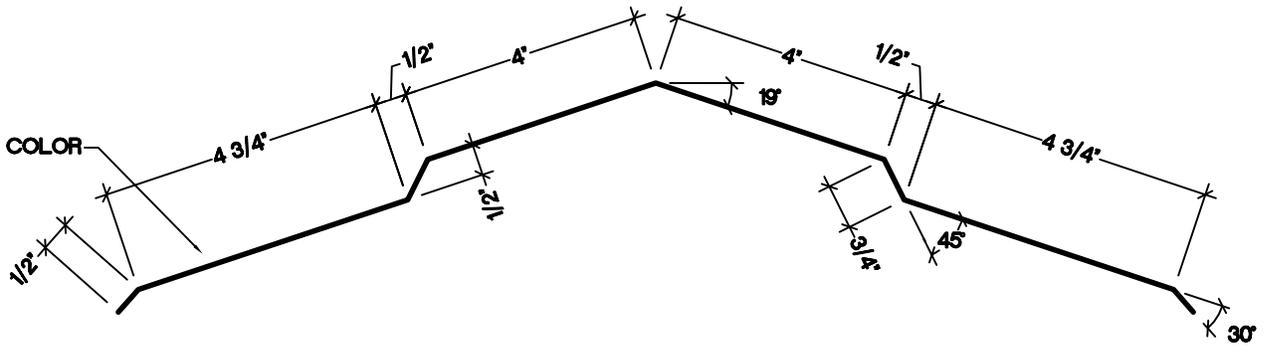
SLIT SIZE- 3'

LENGTH - 10'-3"

NOTES:

- 1. ALL BENDS ARE 90° OR 45° U.N.O.**
- 2. ALL HEMS ARE 1/2' U.N.O.**

DRIP



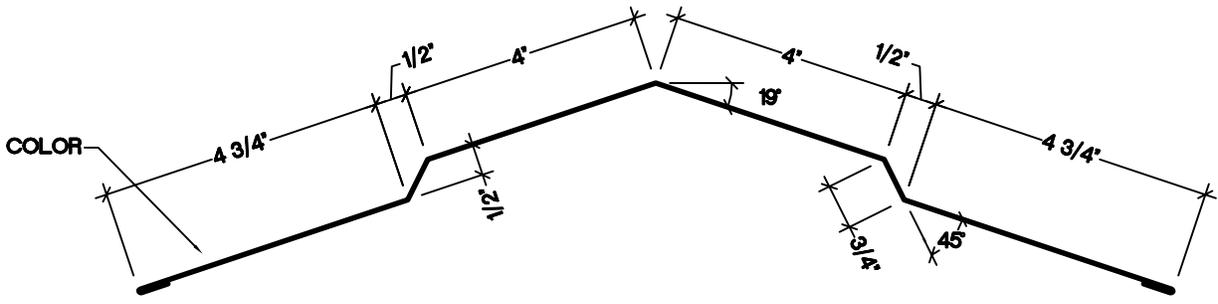
EXTRA WIDE RIDGE CAP TRIM (ERC)

SLIT SIZE - 20"
 LENGTH - 10'-3"

NOTES:

1. ALL BENDS ARE 90°
 OR 45° U.N.O.

ERC



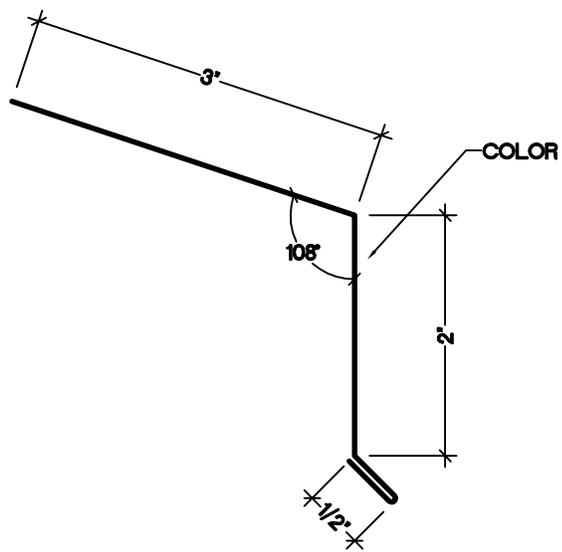
EXTRA WIDE RIDGE CAP TRIM HEMMED (ERCH)

SLIT SIZE - 20"
 LENGTH - 10'-3"

NOTES:

- 1. ALL BENDS ARE 90° OR 45° U.N.O.
- 2. ALL HEMS ARE 1/2' U.N.O.

ERCH



EAVE TRIM (ET)

SLIT SIZE- 6"

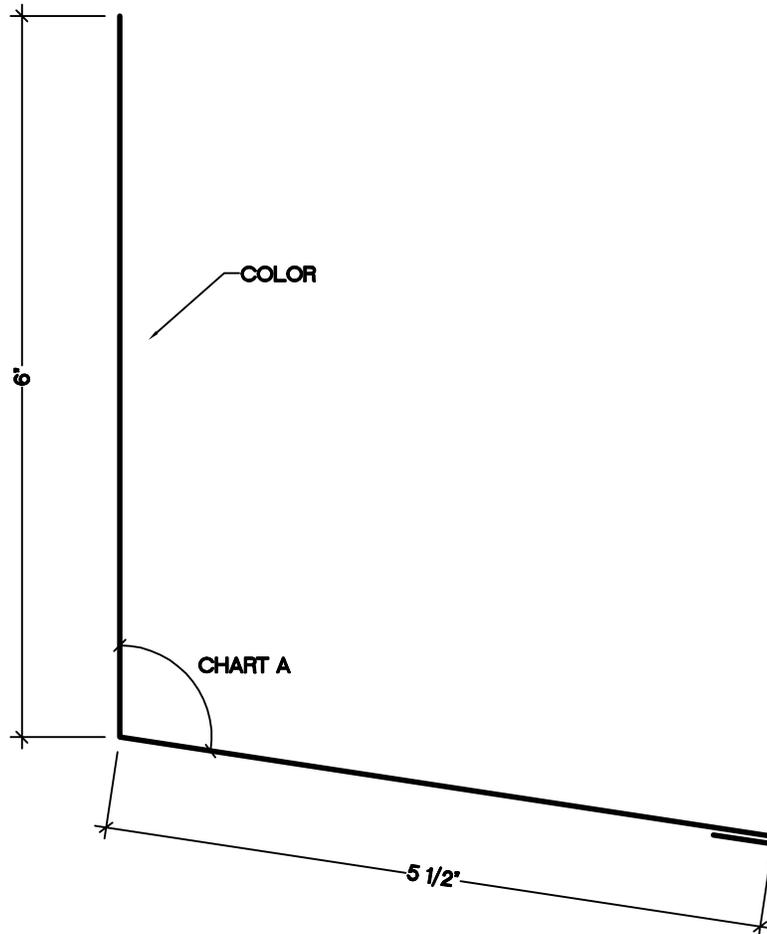
LENGTH - 10'-3" AND 12'-3"

NOTES:

1. ALL BENDS ARE 90° OR 45° U.N.O.

2. ALL HEMS ARE 1/2" U.N.O.

	<p>ET</p>	
--	------------------	--



END WALL (EW)

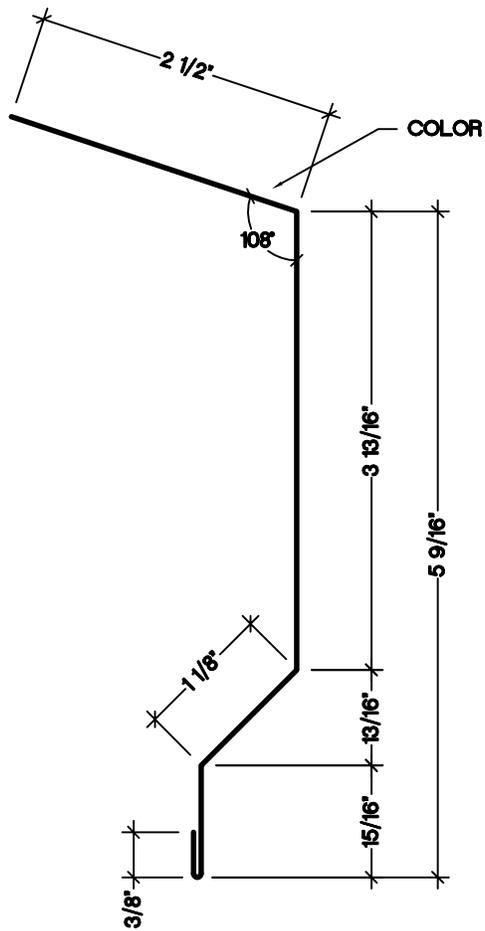
SLIT SIZE - 12"

LENGTH - 10'-3"

NOTES:

- 1. ALL BENDS ARE 90° OR 45° U.N.O.
- 2. ALL HEMS ARE 1/2" U.N.O.

CHART A		EW	
ROOF PITCH	DEGREES		
1:12	95°		
2:12	99°		
3:12	104°		
4:12	108°		



FASCIA (FT)

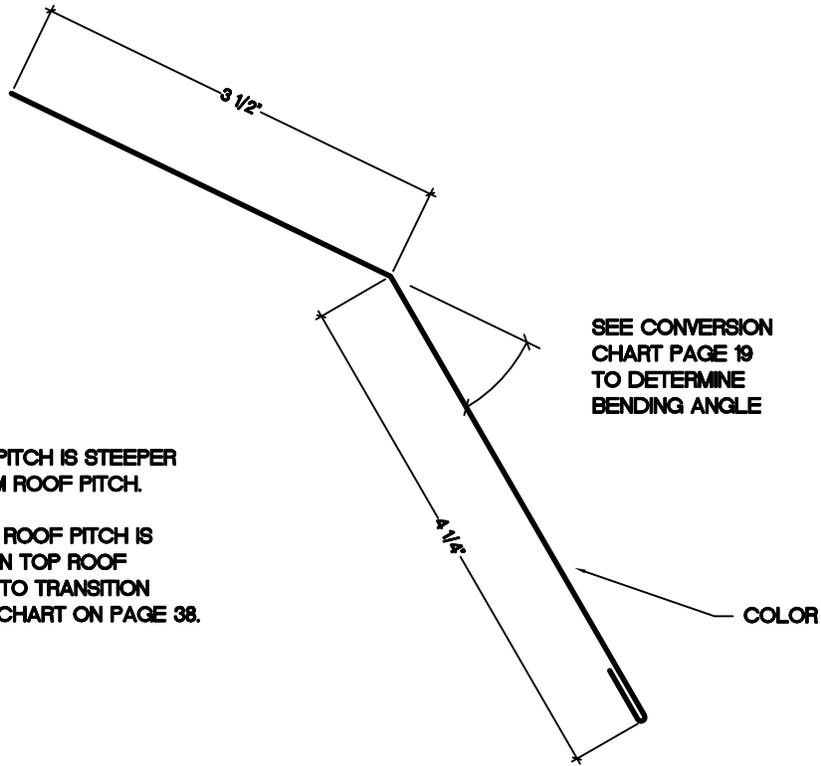
SLIT SIZE- $8 \frac{3}{4}'$

LENGTH - $10'-3"$ AND $12'-3"$

NOTES:

1. ALL BENDS ARE 90° OR 45° U.N.O.
2. ALL HEMS ARE $1/2'$ U.N.O.

	FT	
--	----	--



NOTE:

- 1) TOP ROOF PITCH IS STEEPER THAN BOTTOM ROOF PITCH.
- 2) IF BOTTOM ROOF PITCH IS STEEPER THAN TOP ROOF PITCH REFER TO TRANSITION CONVERSION CHART ON PAGE 38.

SEE CONVERSION CHART PAGE 19 TO DETERMINE BENDING ANGLE

GAMBREL (GT)

SLIT SIZE- 8 1/4'
 LENGTH - 10'-3"

NOTES:

- 1. ALL BENDS ARE 90° OR 45° U.N.O.
- 2. ALL HEMS ARE 1/2' U.N.O.

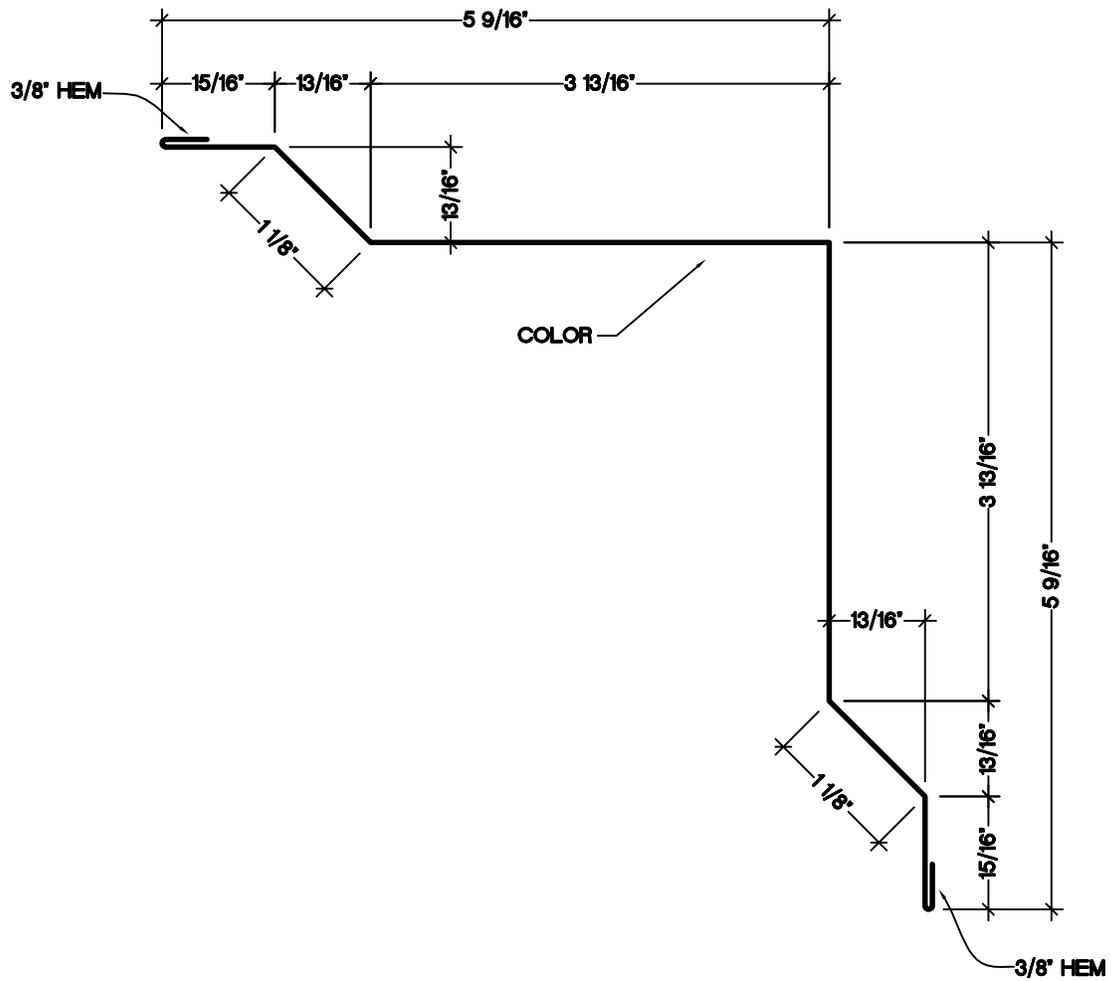
GT

BOTTOM ROOF PITCH

TOP ROOF PITCH

	1	2	3	4	5	6	7	8	9	10	11	12	13	14	15	16	17	18	19	20	21	22	23	24	
1		5	9	13	18	22	25	29	32	35	38	40	42	44	46	48	50	51	52	54	55	56	57	58	
2			4	8	13	17	20	24	27	30	33	35	37	39	41	43	45	46	47	49	50	51	52	53	
3				4	9	13	16	20	23	26	29	31	33	35	37	39	41	42	43	45	46	47	48	49	
4					5	9	12	16	19	22	25	27	29	31	33	35	37	38	39	41	42	43	44	45	
5						4	7	11	14	17	20	22	24	26	28	30	32	33	34	36	37	38	39	40	
6							3	7	10	13	16	18	20	22	24	26	28	29	30	32	33	34	35	36	
7								4	7	10	13	15	17	19	21	23	25	26	27	29	30	31	32	33	
8									3	6	9	11	13	15	17	19	21	22	23	25	26	27	28	29	
9										3	6	8	10	12	14	16	18	19	20	22	23	24	25	26	
10											3	5	7	9	11	13	15	16	17	19	20	21	22	23	
11												2	4	6	8	10	12	13	14	16	17	18	19	20	
12													2	4	6	8	10	11	12	14	15	16	17	18	
13														2	4	6	8	9	10	12	13	14	15	16	
14															2	4	6	7	8	10	11	12	13	14	
15																2	4	5	6	8	9	10	11	12	
16																	2	3	4	6	7	8	9	10	
17																		1	2	4	5	6	7	8	
18																			1	3	4	5	6	7	
19																				2	3	4	5	6	
20																					1	2	3	4	
21																						1	2	3	
22																							1	2	
23																								1	
24																									1

GAMBREL TRIM BENDING ANGLE CONVERSION CHART



INSIDE CORNER (IC)

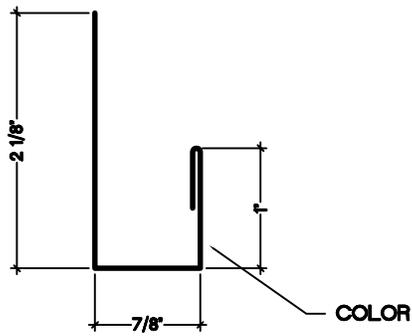
SLIT SIZE- $12 \frac{1}{2}''$

LENGTHS FROM $10'-3''$ TO $16'-3''$

NOTES:

1. ALL BENDS ARE 90° OR 45° U.N.O.
2. ALL HEMS ARE $1/2''$ U.N.O.

IC



J-TRIM (JT)

SLIT SIZE- 4 1/2"

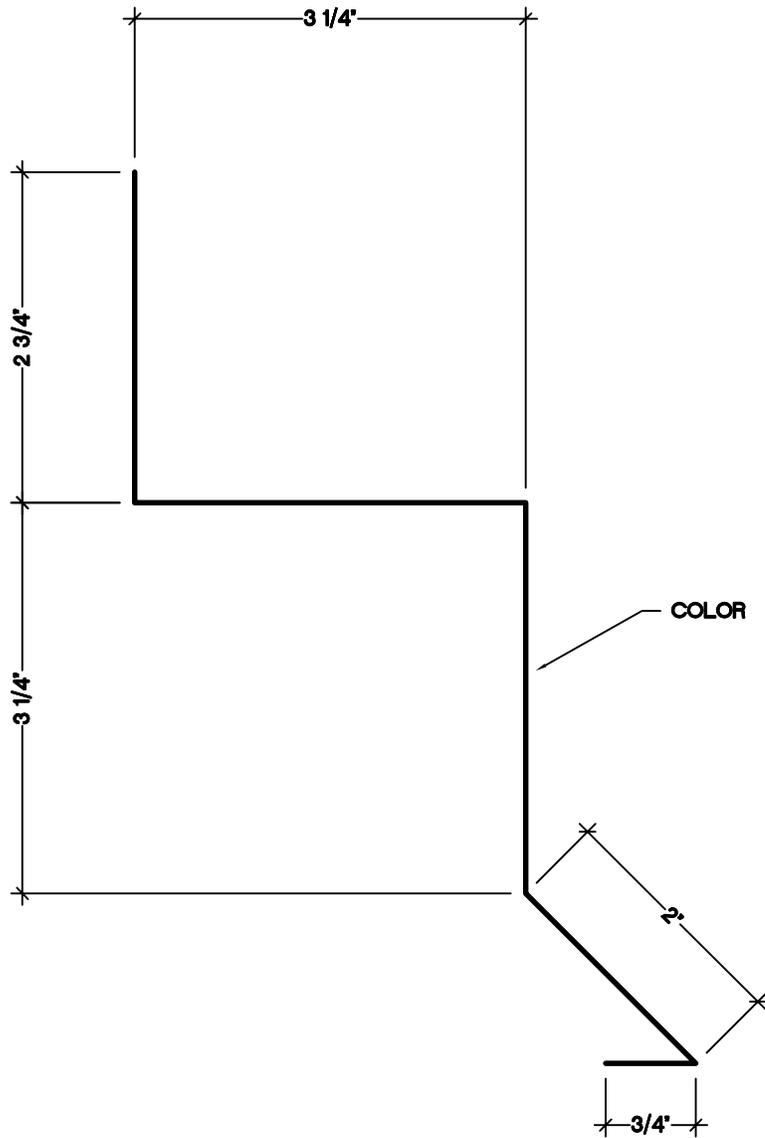
LENGTH - 10'-3" AND 12'-3"

NOTES:

1. ALL BENDS ARE 90° OR 45° U.N.O.

2. ALL HEMS ARE 1/2" U.N.O.

JT



NATIONAL SQUARE DOOR TRACK COVER (NC)

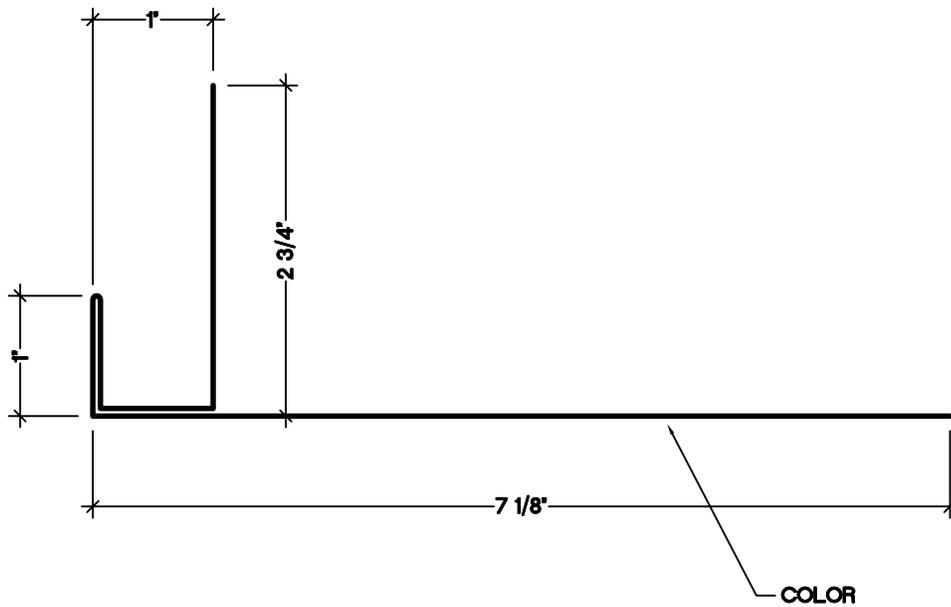
SLIT SIZE - 12"

LENGTH - 10'-3"

NOTES:

1. ALL BENDS ARE 90° OR 45° U.N.O.
2. ALL HEMS ARE 1/2' U.N.O.

NC



OVERHEAD DOOR JAMB (OHD)

SLIT SIZE- 12 7/8"

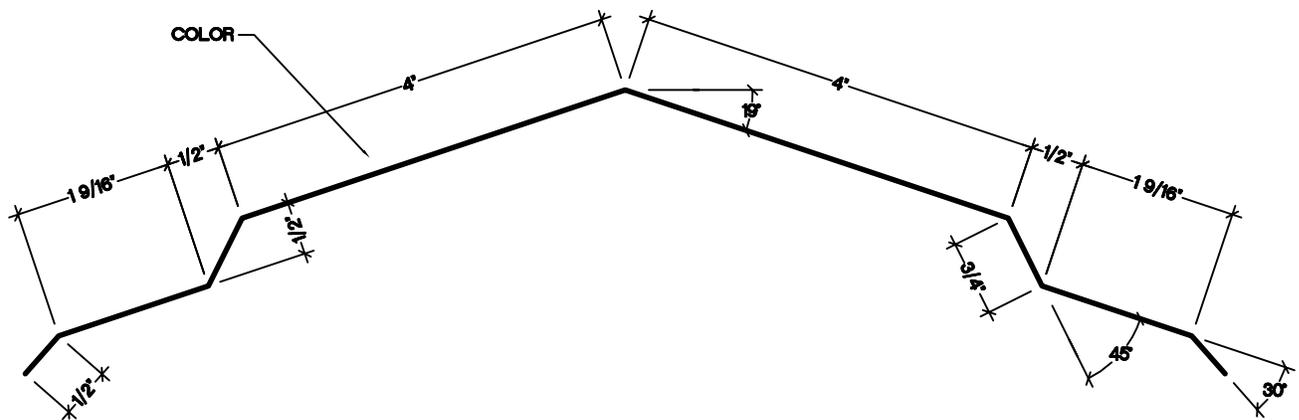
LENGTHS FROM 10'-3" TO 16'-3"

NOTES:

1. ALL BENDS ARE 90° OR 45° U.N.O.

2. ALL HEMS ARE 1/2" U.N.O.

OHD

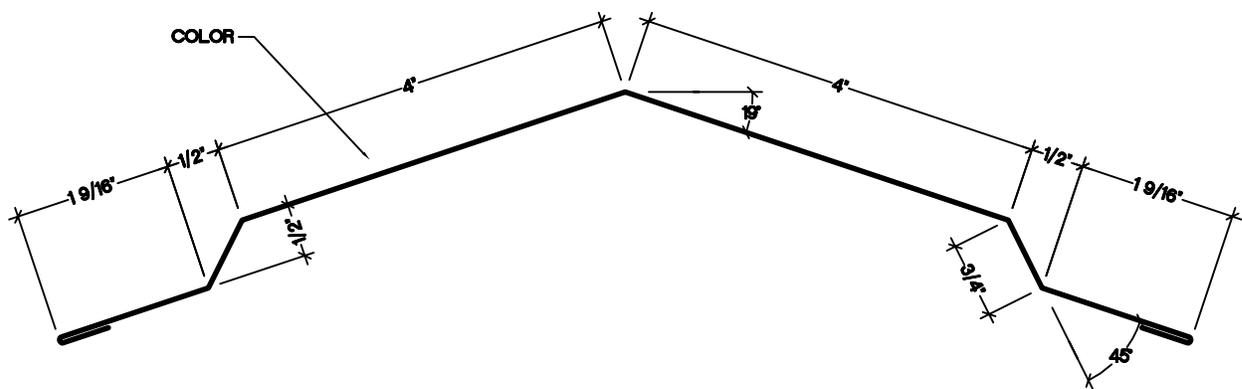


COLOR

RIDGE CAP (RC)
 SLIT SIZE- 13 5/8"
 LENGTH - 10'-3" AND 12'-3"

NOTES:
 1. ALL BENDS ARE 90°
 OR 45° U.N.O.

	<p>RC</p>	
--	-----------	--



RIDGE CAP HEMMED (RCH)

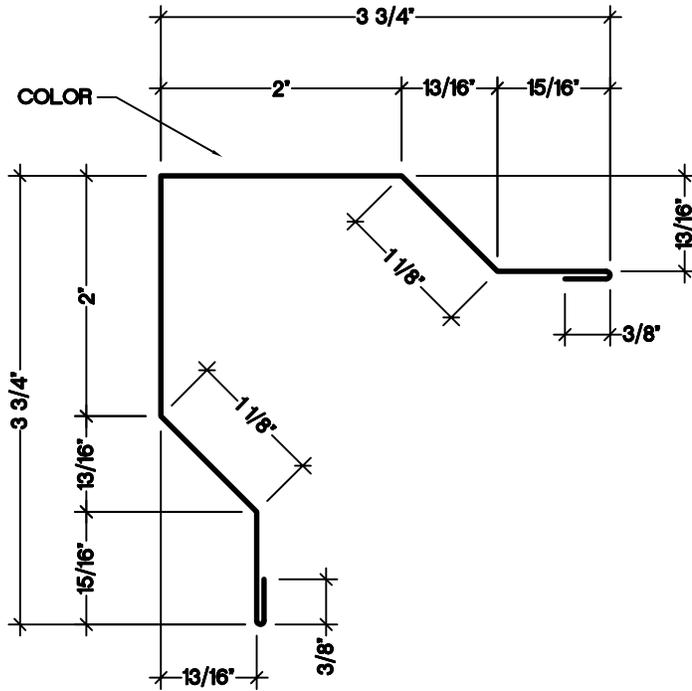
SLIT SIZE- 13 5/8"

LENGTH - 10'-3" AND 12'-3"

NOTES:

1. ALL BENDS ARE 90° OR 45° U.N.O.
2. ALL HEMS ARE 1/2' U.N.O.

RCH



RESIDENTIAL RAKE (RR)

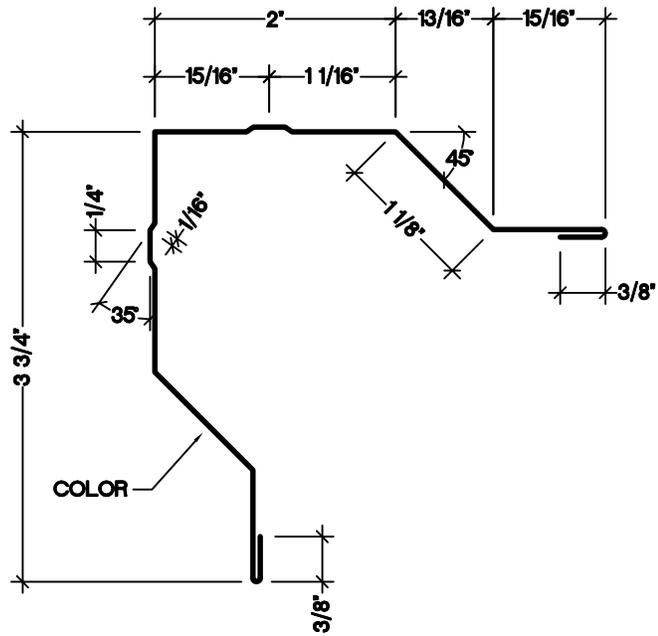
SLIT SIZE- $8 \frac{7}{8}$ "

LENGTHS FROM $10'-3"$ TO $16'-3"$

NOTES:

1. ALL BENDS ARE 90° OR 45° U.N.O.
2. ALL HEMS ARE $1/2'$ U.N.O.

RR



**RESIDENTIAL RAKE (RS)
WITH STIFFENER RIBS**

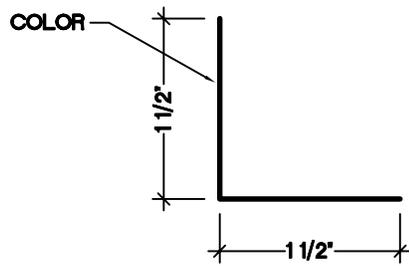
SLIT SIZE- 8 7/8"

LENGTHS FROM 10'-3" TO 16'-3"

NOTES:

1. ALL BENDS ARE 90° OR 45° U.N.O.
2. ALL HEMS ARE 1/2" U.N.O.

RS



SINGLE ANGLE 1.5 x 1.5 (SA1.5)

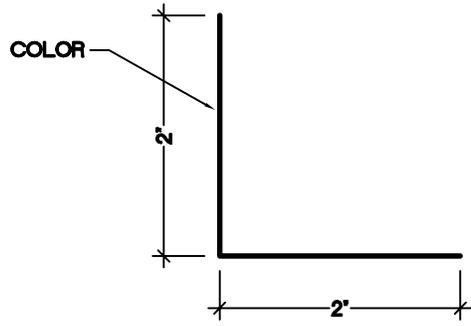
SLIT SIZE - 3"

LENGTH - 10'-3"

NOTES:

1. ALL BENDS ARE 90°
OR 45° U.N.O.

SA1.5



SINGLE ANGLE 2 x 2 (SA2)

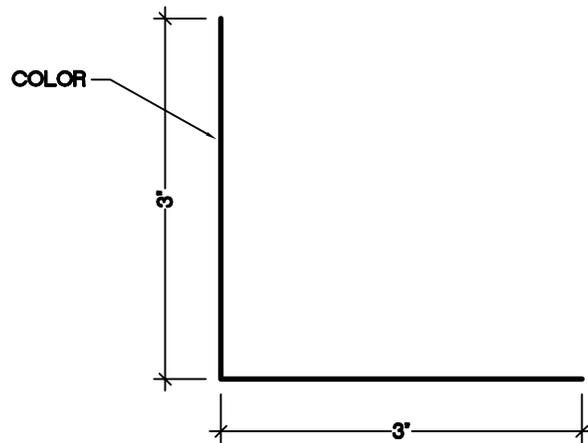
SLIT SIZE- 4'

LENGTH - 10'-3"

NOTES:

1. ALL BENDS ARE 90°
OR 45° U.N.O.

SA2



SINGLE ANGLE 3 x 3 (SA3)

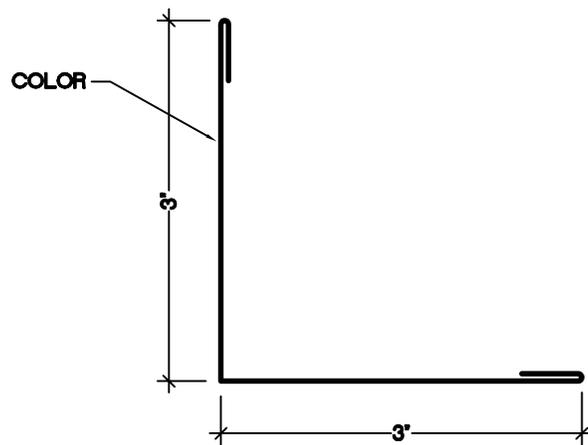
SLIT SIZE- 6'

LENGTH - 10'-3"

NOTES:

**1. ALL BENDS ARE 90°
OR 45° U.N.O.**

SA3



SINGLE ANGLE 3 x 3 (SA3H)

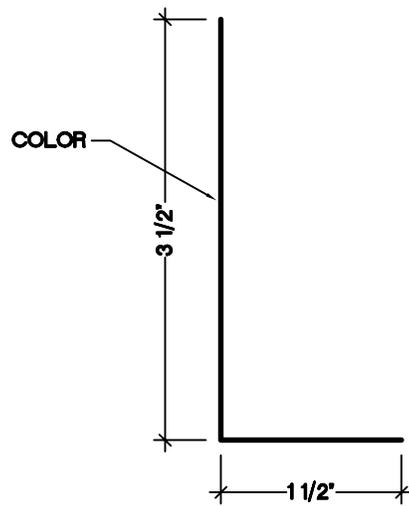
SLIT SIZE- 7"

LENGTH - 10'-3"

NOTES:

- 1. ALL BENDS ARE 90° OR 45° U.N.O.**
- 2. ALL HEMS ARE 1/2' U.N.O.**

SA3H



SINGLE ANGLE 1.5 x 3.5 (SA3.5)

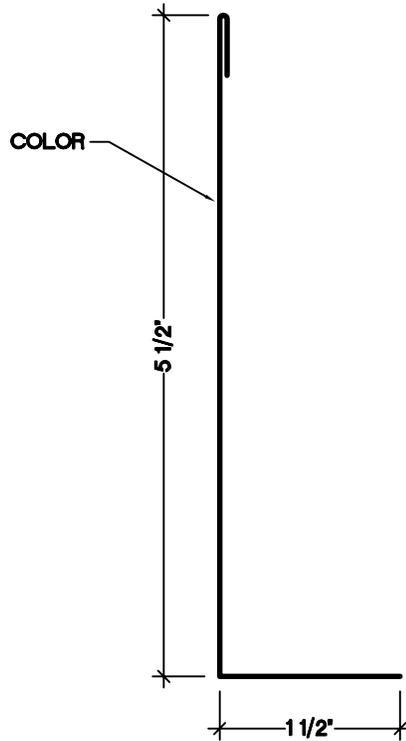
SLIT SIZE- 5'

LENGTH - 10'-3"

NOTES:

**1. ALL BENDS ARE 90°
OR 45° U.N.O.**

SA3.5



SINGLE ANGLE 1.5 x 5.5 (SA5.5)

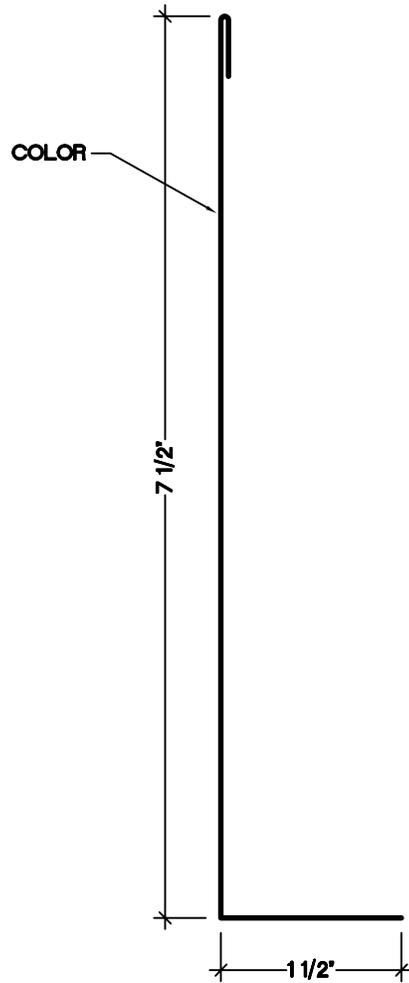
SLIT SIZE - 7 1/2'

LENGTH - 10'-3"

NOTES:

1. ALL BENDS ARE 90° OR 45° U.N.O.
2. ALL HEMS ARE 1/2" U.N.O.

SA5.5



SINGLE ANGLE 1.5 x 7.5 (SA7.5)

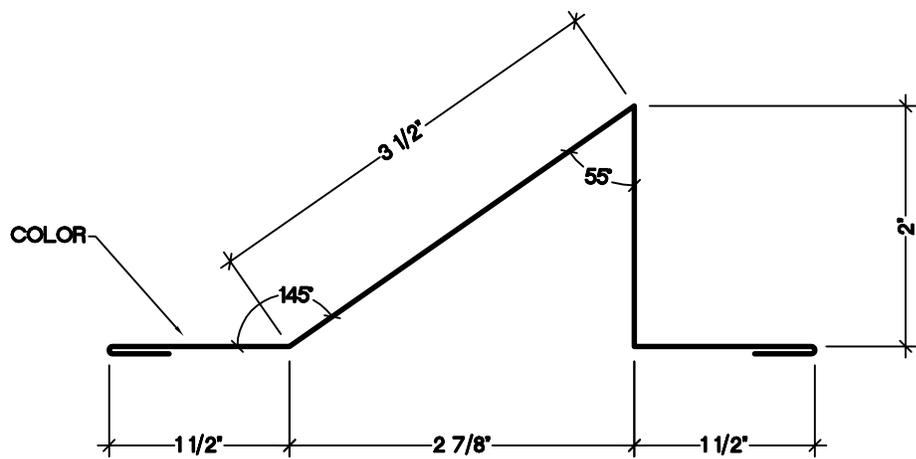
SLIT SIZE - 9 1/2'

LENGTH - 10'-3"

NOTES:

1. ALL BENDS ARE 90° OR 45° U.N.O.
2. ALL HEMS ARE 1/2" U.N.O.

SA7.5



SNOW GUARD (SN)

SLIT SIZE- $9\frac{1}{2}''$

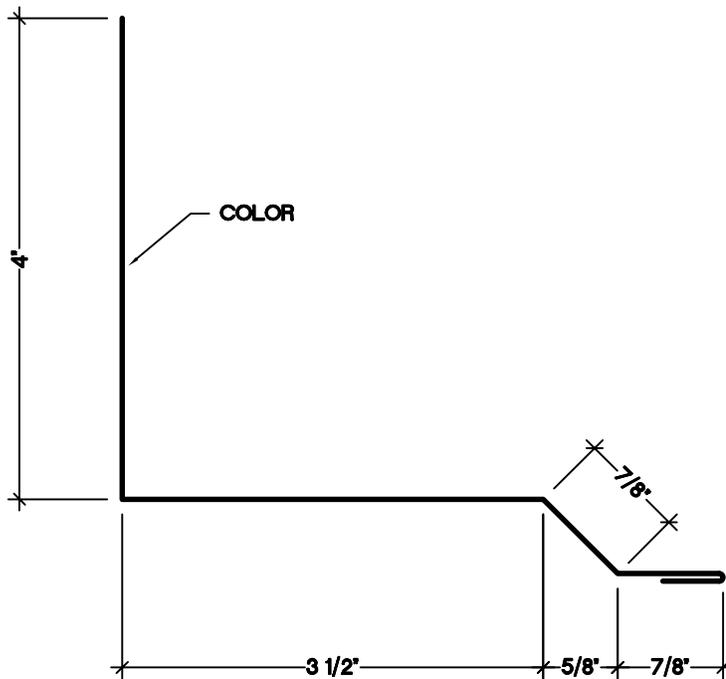
LENGTH - $10'-3''$

NOTES:

**1. ALL BENDS ARE 90°
OR 45° U.N.O.**

2. ALL HEMS ARE $1/2''$ U.N.O.

SN



SIDEWALL (SW)

SLIT SIZE- 9 3/4"

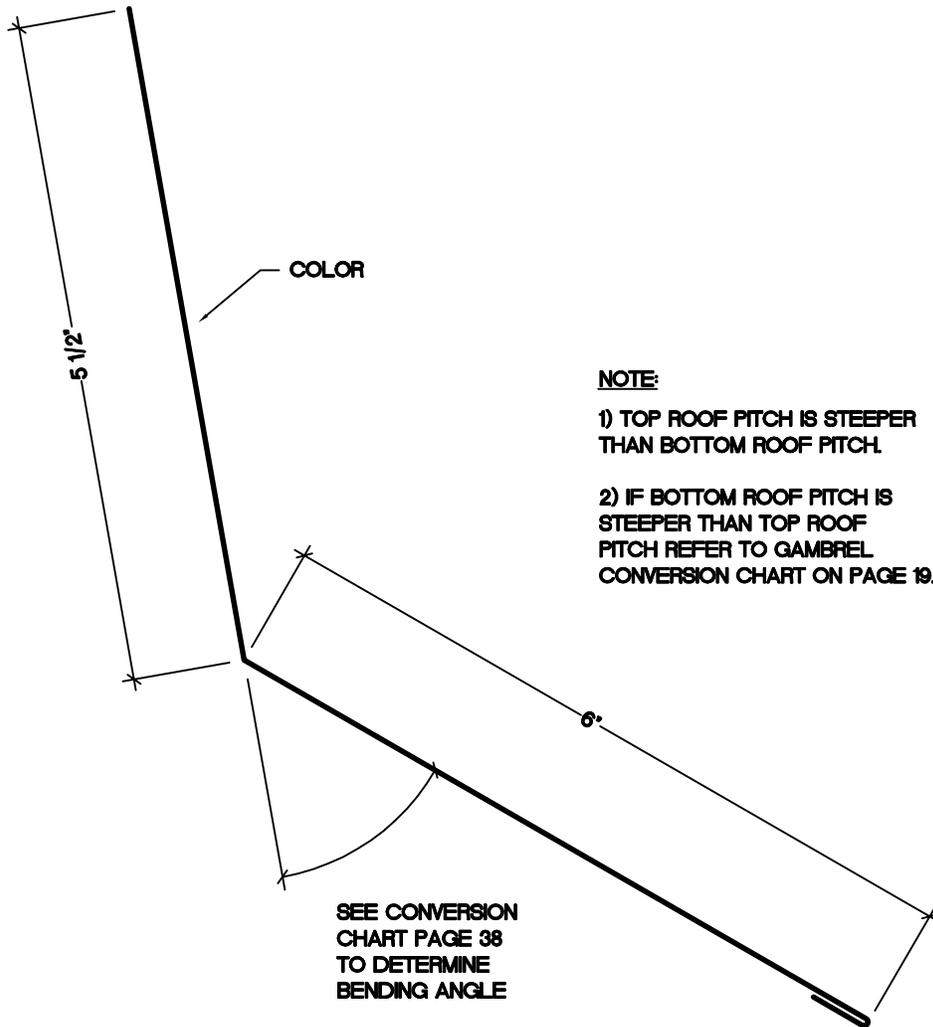
LENGTH - 10'-3"

NOTES:

**1. ALL BENDS ARE 90°
OR 45° U.N.O.**

2. ALL HEMS ARE 1/2" U.N.O.

SW



NOTE:

- 1) TOP ROOF PITCH IS STEEPER THAN BOTTOM ROOF PITCH.
- 2) IF BOTTOM ROOF PITCH IS STEEPER THAN TOP ROOF PITCH REFER TO GAMBREL CONVERSION CHART ON PAGE 19.

TRANSITION TRIM (TT)

SLIT SIZE- 12"

LENGTH - 10'-3"

NOTES:

- 1. ALL BENDS ARE 90° OR 45° U.N.O.
- 2. ALL HEMS ARE 1/2" U.N.O.

TT

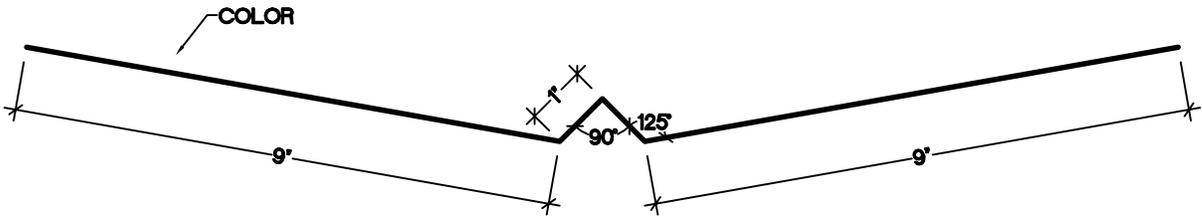
BOTTOM ROOF PITCH

TOP ROOF PITCH

	1	2	3	4	5	6	7	8	9	10	11	12	13	14	15	16	17	18	19	20	21	22	23	24
1																								
2	5																							
3	9	4																						
4	13	8	4																					
5	18	13	9	5																				
6	22	17	13	9	4																			
7	25	20	16	12	7	3																		
8	29	24	20	16	11	7	4																	
9	32	27	23	19	14	10	7	3																
10	35	30	26	22	17	13	10	6	3															
11	38	33	29	25	20	16	13	9	6	3														
12	40	35	31	27	22	18	15	11	8	5	2													
13	42	37	33	29	24	20	17	13	10	7	4	2												
14	44	39	35	31	26	22	19	15	12	9	6	4	2											
15	46	41	37	33	28	24	21	17	14	11	8	6	4	2										
16	48	43	39	35	30	26	23	19	16	13	10	8	6	4	2									
17	50	45	41	37	32	28	25	21	18	15	12	10	8	6	4	2								
18	51	46	42	38	33	29	26	22	19	16	13	11	9	7	5	3	1							
19	52	47	43	39	34	30	27	23	20	17	14	12	10	8	6	4	2	1						
20	54	49	45	41	36	32	29	25	22	19	16	14	12	10	8	6	4	3	2					
21	55	50	46	42	37	33	30	26	23	20	17	15	13	11	9	7	5	4	3	1				
22	56	51	47	43	38	34	31	27	24	21	18	16	14	12	10	8	6	5	4	2	1			
23	57	52	48	44	39	35	32	28	25	22	19	17	15	13	11	9	7	6	5	3	2	1		
24	58	53	49	45	40	36	33	29	26	23	20	18	16	14	12	10	8	7	6	4	3	2	1	

TRANSITION TRIM BENDING ANGLE CONVERSION CHART

CUSTOMER MAY NEED TO SPECIFY
DEGREE OF BEND FOR UNSYMMETRICAL
ROOF SLOPES.



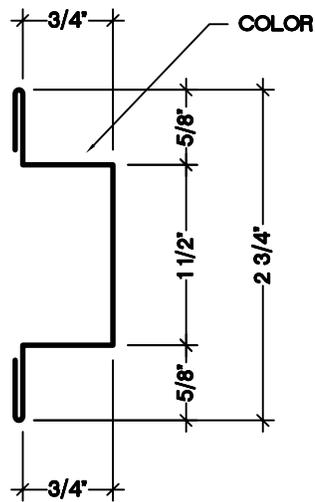
VALLEY TRIM (VT)

SLIT SIZE- 20"
LENGTH - 10'-3" AND 12'-3"

NOTES:

1. ALL BENDS ARE 90°
OR 45° U.N.O.

	VT	
--	-----------	--



WAINSCOT TRIM (WC)

SLIT SIZE- 5 1/4"

LENGTH - 10'-3"

NOTES:

**1. ALL BENDS ARE 90°
OR 45° U.N.O.**

2. ALL HEMS ARE 1/2" U.N.O.

WC